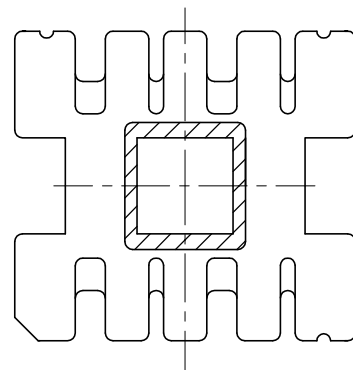
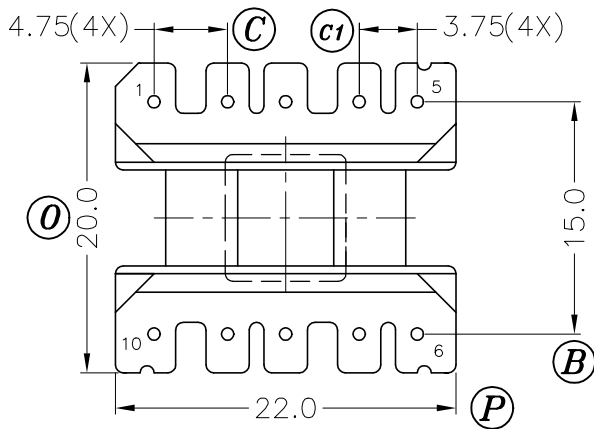
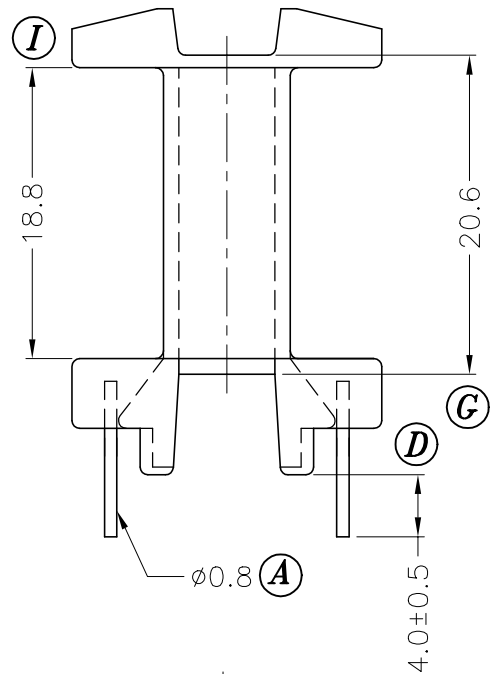
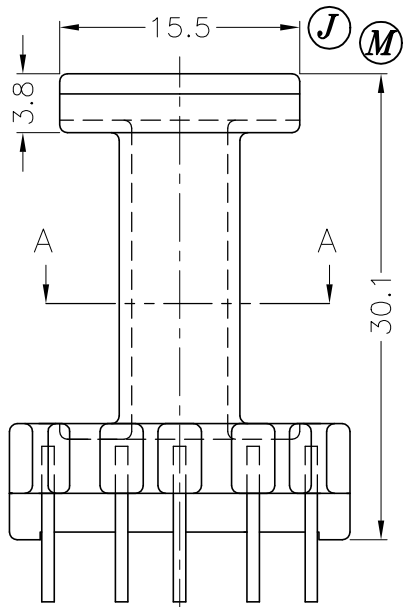
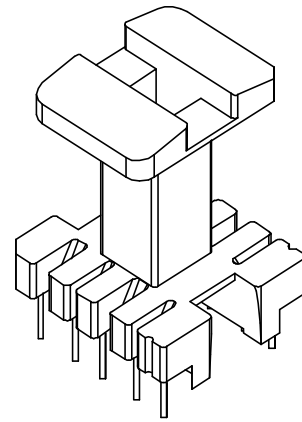
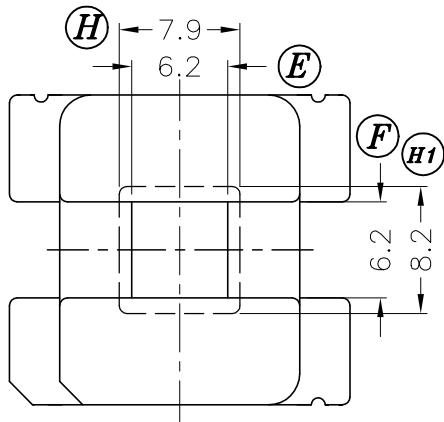


A-A Section

Date	Revised Record
02.01.01	A/0 → A/1

(台北) Tel: 886-2-29902896 Fax: 886-2-29906154  
 (昆山) Tel: 86-520-7794588 Fax: 86-520-7794788  
 (東莞) Tel: 86-769-5549610 Fax: 86-769-5549617

Model	<b>EEL-22</b>	10PINs
Bobbin Material: PHENOLIC UL-94V-0		
Pin Material: CP Wire		
Scale: 1.5 : 1	Tolerance: .xxx ±0.08	
Unit: mm	.xx ±0.1	
File No: YC-F-067	.x ±0.2	
	Date: 2002.01.01	



SEC. A-A

REV.	REVISIONS	REC.	REV.	REVISIONS	REC.
2	ADD SOME DIMENSION.				
3	CANCEL (L),(N),(K),(C2),(C3);CHANGE (C3)-->(C1).				

DRAWN & DRAFTED BY WNCH HSIANG	TOLERANCES		ANGLE:	TITLE:	
	0<L≤4 ±0.1	pin pitch ±0.2	±1°	T-H BOBBIN EEL-22	
CHECKED & APPROVED BY CHIN TE	4<L≤16 ±0.2		UNIT:	BOBBIN MATERIAL:	UL REC.
	16<L≤63 ±0.3	MM	PHENOLIC T355J	UL 94V-0	
<b>PIN SHINE INDUSTRIAL CO., LTD.</b> TEL:886-2-22990545 FAX:886-2-22990546		ORIGIN:	PIN MATERIAL:	PIN TENSION LOAD:	
		DG	CP WIRE	1.5KG MIN.	
			DATE:	DRAWING NO.	REV.
			APR.07 '2003	P-2204	3