

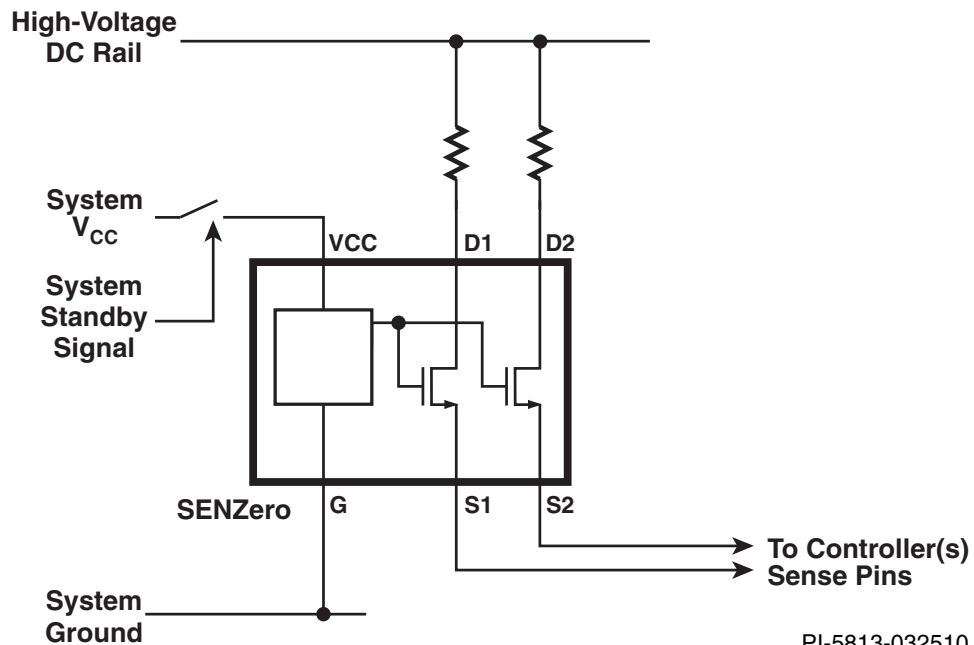
## SENZero™



### Key Features

- Eliminates significant standby losses
- <math><0.5\text{ mW}</math> leakage per channel
- Single package provides remote disconnect for several channels

### Zero-Loss, High-Voltage Sense Signal Disconnect IC

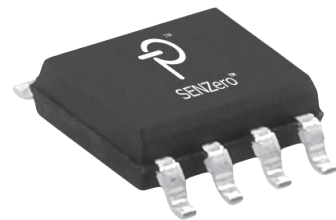


## Applications

- AC-DC converters with high-voltage resistive signal paths
- Very low standby systems such as those meeting EuP Lot 6 and similar energy efficiency standards

## Output Power

Part Number	Integrated Disconnect MOSFETs	230 VAC Power Consumption in Standby (mW)
SEN012DG	2	<1
SEN013DG	3	<1.5



SO-8 D Package

## Design Support

- Data Sheet      [SENZero data sheet \(www.power.com/senzero-data-sheet\)](http://www.power.com/senzero-data-sheet)
- Video            [SENZero product demo \(www.power.com/senzero-video\)](http://www.power.com/senzero-video)