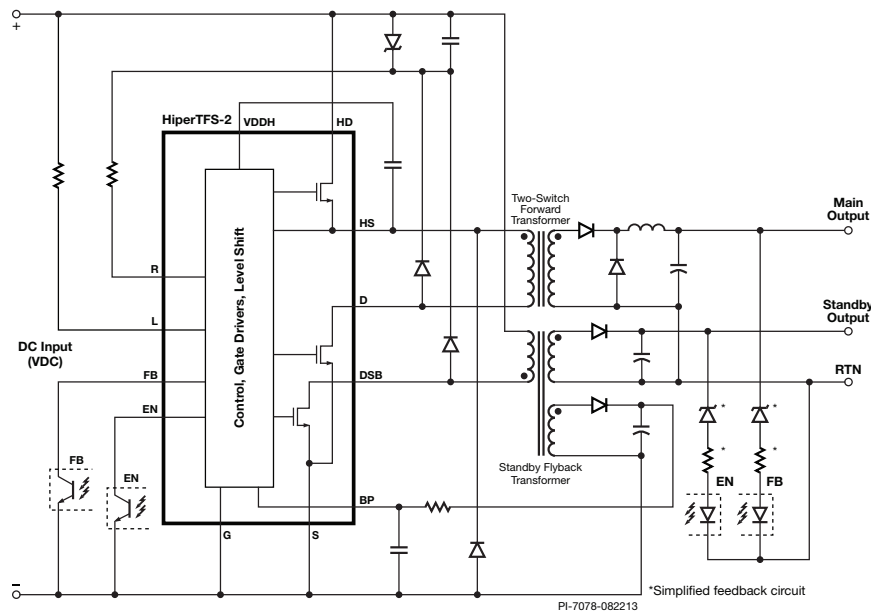




HiperTFS™-2

- Integrated two-switch-forward + standby
- 90% full-load efficiency @ 12 V output
- Covers 100 W - 385 W (peak 586 W)
- 170% peak-power delivery

Combined Two-Switch-Forward and Flyback Power Supply Controllers

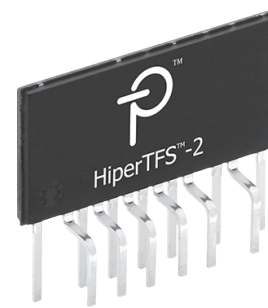


Applications

- PC (80 PLUS® Bronze and 80 PLUS Silver)
- Printers
- LCD TVs
- Video game consoles
- High-power adapters
- Industrial and appliance

Output Power

Product	Two-Switch-Forward 380 V		Flyback 100 V - 400 V
	Continuous (50 °C)	Peak	Continuous (50 °C)
TFS7701H	148	187	20
TFS7702H	190	297	20
TFS7703H	229	375	20
TFS7704H	251	419	20
TFS7705H	269	466	20
TFS7706H	298	513	20
TFS7707H	322	553	20
TFS7708H	343	586	20



eSIP™-16F (H Package)

Design Support

- Data Sheet** HiperTFS-2 data sheet (www.power.com/hipertfs-2-data-sheet)
- Design Example** 300 W non-PFC stage forward power supply (DER-472) (www.power.com/der-472)
- Design Example** 180 W power factor corrected power supply (DER-428) (www.power.com/der-428)