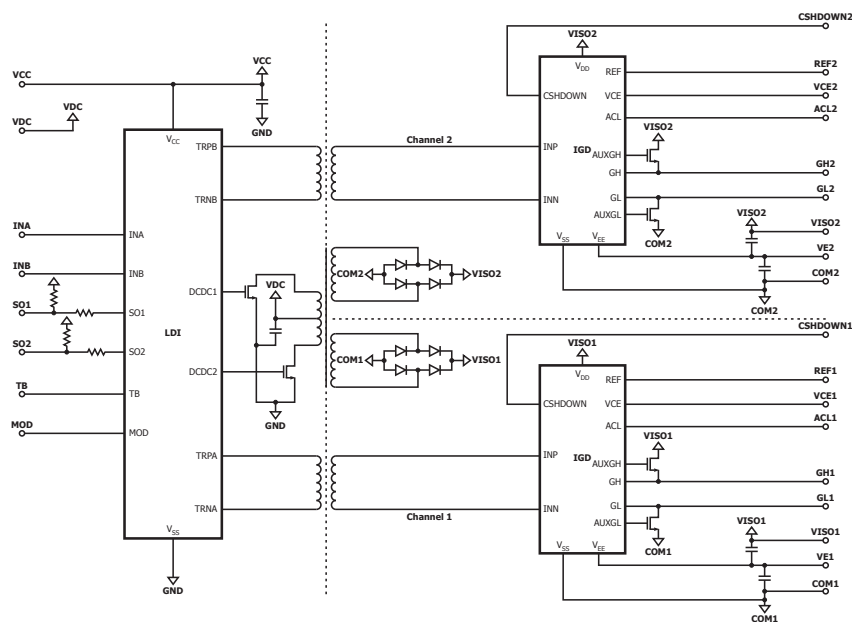


# SCALE™ -2 Gate Driver Core 2SC0535T

- Switching frequency up to 100 kHz
- ±35 A peak output gate current
- 2 x 5 W output power
- Regulated gate emitter voltage
- Interface for 3.3 V to 15 V logic level
- Direct and half-bridge modes

## Dual-Channel Gate Driver for 1.7 kV to 3.3 kV IGBTs and SiC MOSFETs



PI-8683-022520

## Applications

- Railway main inverters
- High-voltage DC transmission systems (HVDC)
- Flexible AC transmission systems (FACTS)
- STATCOM
- Medium-voltage drives
- Wind power inverters
- Industrial motor drives
- Three-level photovoltaic inverters

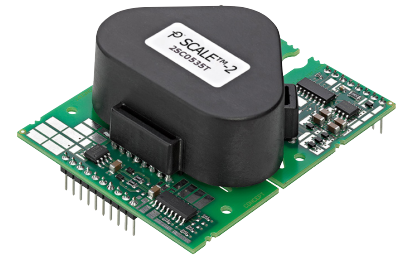
## Certifications

- Reinforced isolation according to IEC 61800-5-1
- UL compliant

## Product Details

Parameter	Min	Typical	Max	Unit
Nominal supply voltage		15		V
Supply current @ $f_{in} = 0$ Hz		95		mA
Supply current, full load			1250	mA
Output power per channel			5	W
Gate voltage		+15 / -10		V
Peak output current (gate current)	-35		+35	A
Switching frequency ( $f_s^{-1}$ )	0		100	kHz
Duty cycle	0		100	%
Creepage distance primary-secondary	44			mm
Clearance distance primary-secondary	25			mm
Dielectric test voltage	9100			$V_{RMS}$
Partial discharge extinction voltage	4125			$V_{PEAK}$
dv / dt immunity, input-to-output			50	kV/ $\mu$ s
Operating temperature	-55		+85	$^{\circ}$ C

1 Maximum switching frequency depends on the IGBT gate charge. See data sheet for actual value of specific driver.



## Design Support

**Available Products**      2SC0535 Products list ([www.power.com/2SC0535](http://www.power.com/2SC0535))