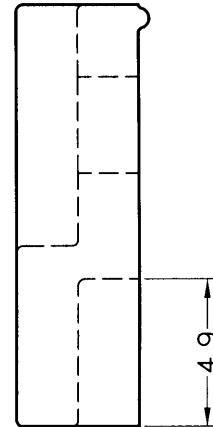
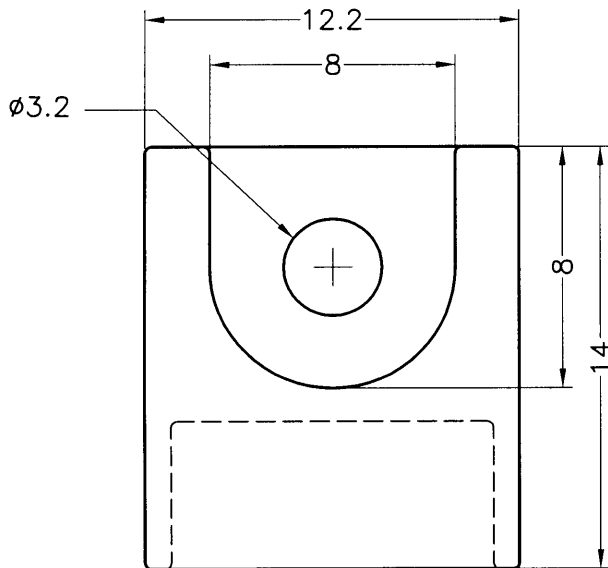
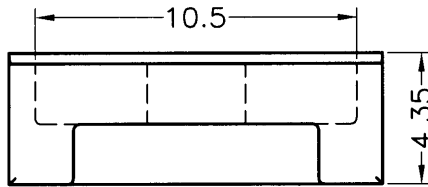


成型尺寸	公差
5mm 以下	±0.2
5~20mm	±0.3
20~40mm	±0.4
40~60mm	±0.5
60~100mm	±0.8
100mm 以上	±1.0

REVISIONS			
REV	DESCRIPTION	DATE	BY



Component - Plastics

E44716

RHODIA ENGINEERING PLASTICS

QUARTIER BELLE-ETOILE, AVE RAMBOZ, BOITE POSTALE 84, ST FONS CEDEX 69192 FR

A 60G1 V30

Polyamide 66 (PA66), "Technyl", furnished as pellets

Color	Min Thk (mm)	Flame Class	HWI	HAI	RTI Elec	RTI Imp	RTI Str
ALL	0.8	V-0	0	0	130	105	120
	1.5	V-0, 5VA	0	0	130	115	130
	3.0	V-0, 5VA	0	0	130	115	130

Comparative Tracking Index (CTI): 0

Dimensional Stability (%): -

High-Voltage Arc Tracking Rate (HVTR): -

High Volt, Low Current Arc Resis (D485): 5

Dielectric Strength (kV/mm): -

Volume Resistivity (10⁹ ohm-cm): -

NOTE - Materials designated "Technyl" may be prefixed by the letters "TY".

UL94 small-scale test data does not pertain to building materials, furnishings and related contents. UL94 small-scale test data is intended solely for determining the flammability of plastic materials used in the components and parts of end-product devices and appliances, where the acceptability of the combination is determined by Underwriters Laboratories Inc.

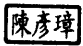

Report Date: 2004-11-29

Underwriters Laboratories Inc®



Last Revised: 2008-01-06


康揚企業股份有限公司
 KANG YANG HARDWARE ENTERPRISE CO., LTD.
東莞康揚塑膠五金電子廠
 DONG GUAN KANG YANG PLASTIC HARDWARE COMPANY
康哲電腦配件(吳江)有限公司
 KANG CHE COMPUTER COMPONENTS(WUJIANG) CO.,LTD.

TITLE	電晶體蓋	產品規格圖面
MATERIAL	NYLON 66 UL94V-0+GF	DATE 2008.08.21
FINISH		DRAWN SAI
COLOR	NATURAL	CHECK 
PART NUMBER TC-24NNHA	DRAWING NUMBER TC-24NNHA	APPROVED 
SIZE A4	SCALE 4:1	UNIT mm
REV A	TOLERANCE SEE ABOVE	